

Note: Heavy weight spools - SP Series – are specially designed for fine wire drawing and for dispatch of bare wire. Light weight spools are particularly suitable for export shipment.

PS : High Impact Polystyrene

Rubb PP : Rubberized Polypropylene

ABS : Acrylonitrile Butadiene Styrene

Tolerance: All measures, weights and loads as indicated in this catalogue are approximate figures. Tolerances and deviations as customary in this trade reserved.

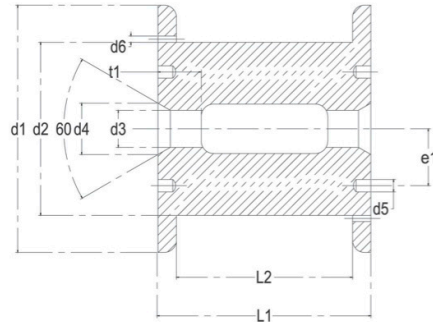


Image No.	Spool Code	Flange Dia. d1	Barrel Dia. d2	Bore Dia. d3	Traverse Length L2	Overall Length L1	d4	d5	d6	e1	t1	Possible Material	Weight (gm)	Volume (cm ³)
1	DIN 80	80	50	16	64	80	24	7	2	20	20	ABS, PS	70	196
2	DIN 100	100	63	16	80	100	24	7	2	20	22	ABS, PS	125	379
3	DIN 125	125	80	16	100	125	24	7	3	20	25	ABS, PS	200	725
4	DIN 160	160	100	22/32	128	160	34	13	3	32	28	ABS, PS	350	1569
5	DIN 200	200	125	22/32/36/59	160	200	34	13	3	32	32	ABS, PS	600	3064
6	DIN 250	250	160	22/32/36	160	200	34	13	4	32	36	ABS, PS	1050	4639
7	DIN 355	355	224	36	160	200	60	26	5	80	40	ABS, PS	1850	9535
8	DIN 160HW	160	100	22/36	128	160	--	--	--	--	--	ABS	470	1569
9	DIN 200HW	200	125	22/36	160	200	--	--	--	--	--	ABS	1020	3064
10	SP 160	160	100	22/36	128	160	--	--	--	--	--	Rubb PP	700	1569
11	SP 200	200	125	22/36/100	160	200	--	--	--	--	--	Rubb PP	1700	3064
12	SP 250	250	160	22/36/100/127	160	200	--	--	--	--	--	Rubb PP	2200	4639
13	US 4	152	89	16	90	110	--	--	--	--	--	ABS	250	1074
14	US 200	200	115	32.5	153	184	--	--	--	--	--	ABS	650	3219
15	US 250	254	102	32.5	153	184	--	--	--	--	--	ABS	1300	6505
16	NS 5	120	55	16	130	150	--	--	--	--	--	ABS	200	1162

Note: All dimensions are in mm

Attention: The spools should not be stored in direct sunlight because heat built up can lead to deformation of the plastic material.



Attention: The spools should not be stored in direct sunlight because heat built up can lead to deformation of the plastic material.